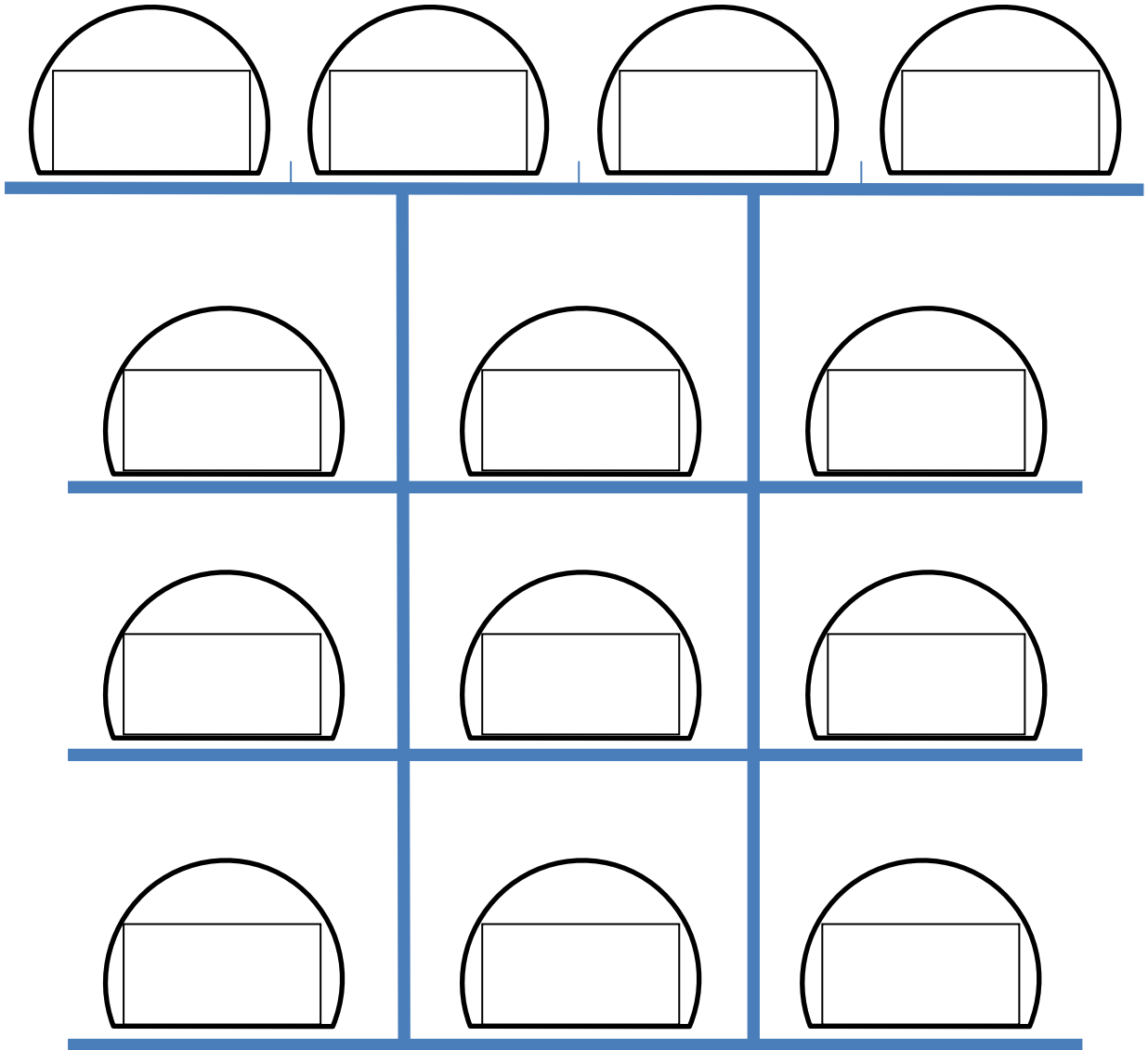
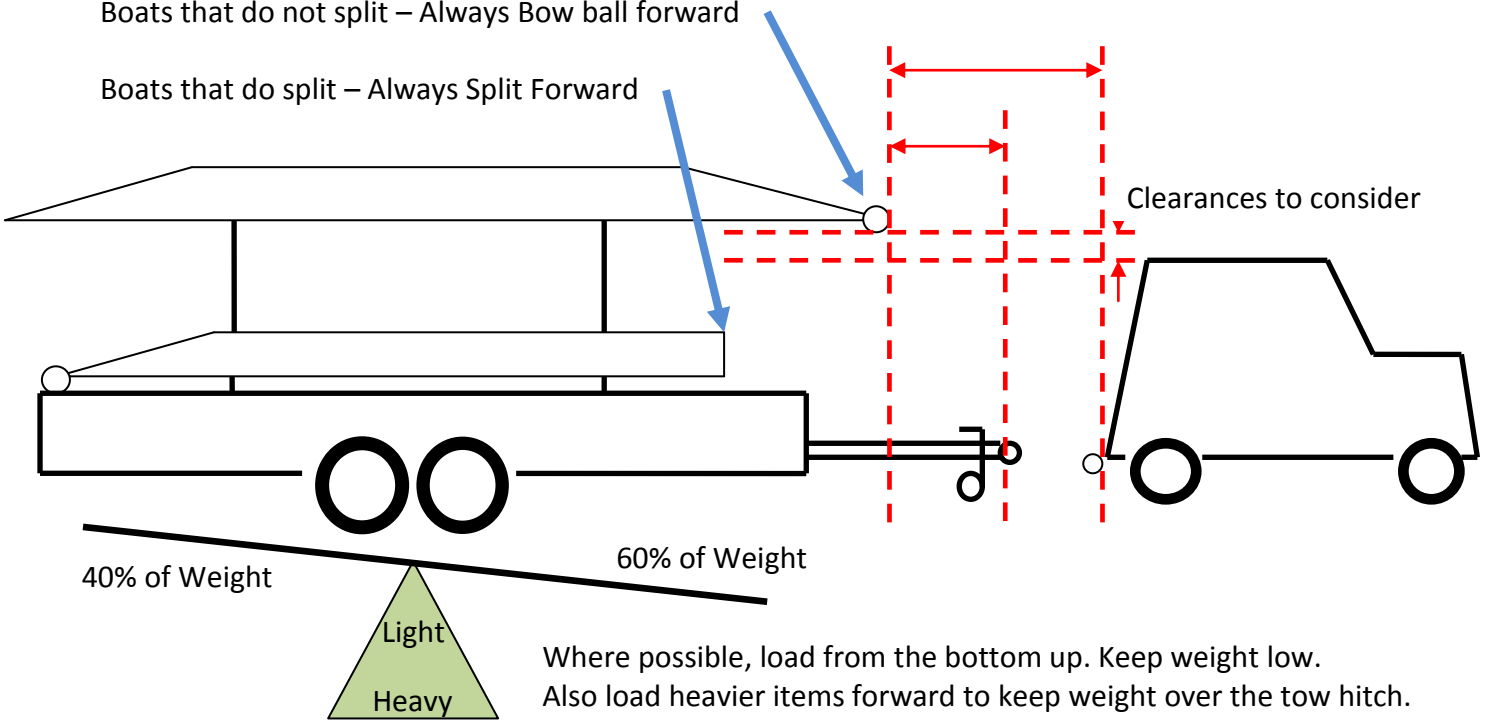


SMALL TRAILER



Boats that do not split – Always Bow ball forward

Boats that do split – Always Split Forward



Where possible, load from the bottom up. Keep weight low. Also load heavier items forward to keep weight over the tow hitch.